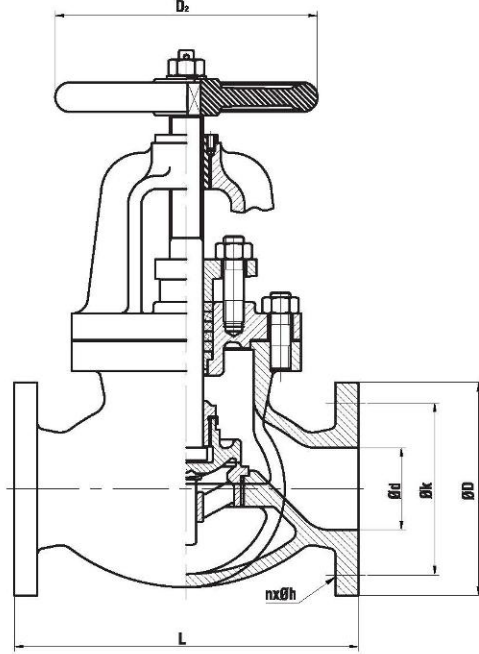
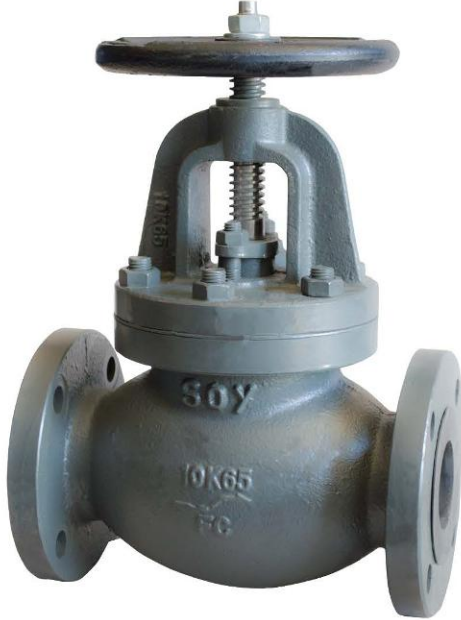




**SOYVALVE**

**Dünyanın Vanasını Üretiyoruz / We Produce The World's Valve**

## JIS Tip Glob Vana ( Düz Tip) / JIS Type Globe Valve(Straight Type)



NO	PARÇA ADI	PART NAME	MATERIAL
1	GÖVDE	BODY	GG 20
2	CONTA	GASKET	KLINGRIT
3	KAPAK	COVER	GG 20
4	MİL	STEM	AISI 420 / CuZn39Pb3
5	EMNİYET PULU	DISK LOCK WASHER	CuZn39Pb3
6	KLAPE SOMUN	DISC NUT	AISI 420 / CuZn39Pb3
7	SIZDIRMAZLIK BİLEZİK	SEALING RING	AISI 420 / CuZn39Pb3
8	KLAPE	DISC	AISI 420 / CuZn39Pb3
9	CİVATA	BOLT	STEEL
10	SALMASTRA	PACKING	GRAPHITE

NO	PARÇA ADI	PART NAME	MATERIAL
11	SALMASTRA BURCU	PACKING BUSH	CuZn39Pb3
12	GLEN	GLAND	GG 20
13	CİVATA	BOLT	STEEL
14	PUL	WASHER	STEEL
15	CİVATA	SCREW	STEEL
16	KAPAK MİL BURCU	SCREWED BON. BUSH	CuZn39Pb3
17	HENDİL	HANDWHEEL	GG 20
18	KOPİLYA	SPLIT PIN	CuZn39Pb3
19	SOMUN	NUT	STEEL

### FLANŞ JIS 5K

ÖLÇÜ	FLANŞ JIS 5K								FLANŞ JIS 10K						
	Ød	ØD	Øk	b	nxØh	L	ØD2	KG	ØD	Øk	b	nxØh	L	KG	ØD2
50A	50	130	105	16	4x15	210	160	15	155	120	20	4x19	220	20	160
65A	65	155	130	18	4x15	250	180	21	175	140	22	4x19	270	29	200
80A	80	180	145	18	4x19	280	180	28	185	150	22	8x19	300	32	200
100A	100	200	165	20	8x19	340	224	41	210	175	24	8x19	350	49	250
125A	125	235	200	20	8x19	410	250	58	250	210	24	8x23	420	73	280
150A	150	265	230	22	8x19	480	280	80	280	240	26	8x23	490	104	315
200A	200	320	280	24	8x23	570	315	139	330	290	26	12x23	570	162	355
250A	250	385	345	26	12x23	740	355	246	400	355	30	12x25	740	304	450
300A	300	430	390	28	12x23	840	400	377	445	400	32	16x25	840	500	500
350A	350	480	435	30	12x25	940	500								
400A	400	540	495	30	16x25	1050	630								

### UYGULAMA ALANLARI / APPLICATIONS

YAKIT VE YAĞ DEVRELERİNDE, SU VE BUHAR HATLARINDA KULLANILIR/ PREVENTING REFLEUCE IN FUEL OIL , LUBRICATING OIL, WATER AND STEAM PIPING AT OR UNDER THE TEMPERATURE OF 205C. THE FLANGE DIMENTIONS ARE ACCORDING TO JIS B2220 STANDARD OF STEEL PIPE